

1.1.2.3 Low Power Thermal Sensors

10mW to 50W

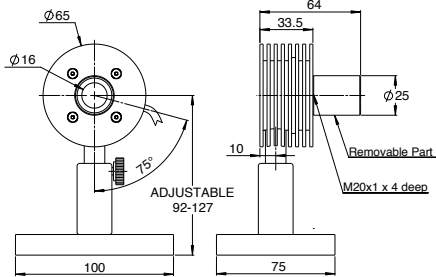
Features

- Convection air cooled
- Broadband absorber
- Ø16mm to Ø26mm apertures
- Fast response time

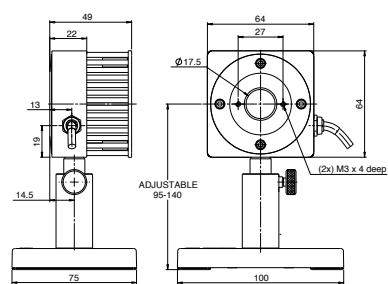


Model	10A	30A-BB-18	L30A-10MM	50(150)A-BB-26
Use	Low power	General purpose	Thin profile	General purpose
Absorber Type	Broadband	Broadband	Broadband	Broadband
Spectral Range μm	0.19 - 20	0.19 - 20	0.15 - 20	0.19 - 20
Aperture mm	Ø16mm	Ø17.5mm	Ø26mm	Ø26mm
Power Mode				
Power Range	10mW - 10W	10mW - 30W	80mW - 30W	40mW - 150W
Maximum Power Intermittent	N.A.	N.A.	8W free standing, 30W heat sunk	150W for 1.5min, 100W for 2.2min, 50W continuous
Power Scales	10W / 5W / 0.5W	30W / 5W / 0.5W	30W / 3W	150W / 50W / 5W
Power Noise Level	0.2mW	0.5mW	4mW	2mW
Maximum Average Power Density kW/cm ²	28	20 at 30W 28 at 10W	20 at 30W 28 at 10W	12 at 150W 17 at 50W
Response Time with Meter (0-95%) typ. s	0.8	0.8	1.5	1.5
Power Accuracy +/-%	3	3	3	3
Linearity with Power +/-%	1	1	1	1.5
Energy Mode				
Energy Range	6mJ - 2J	6mJ - 30J	20mJ - 60J	20mJ - 100J
Energy Scales	2J / 200mJ	30J / 3J / 300mJ	60J / 20J / 2J / 200mJ	100J / 30J / 3J / 300mJ
Minimum Energy mJ	6	6	20	20
Maximum Energy Density J/cm ²				
<100ns	0.3	0.3	0.3	0.3
0.5ms	2	2	5	5
2ms	2	2	10	10
10ms	2	2	30	30
Cooling	convection	convection	convection / conduction	convection
Fiber Adapters Available (see page 83)	ST, FC, SMA, SC	ST, FC, SMA, SC	NA	ST, FC, SMA, SC
Weight kg	0.2	0.3	0.1	0.3
Version	V1.1			
Part number: Standard Sensor	7Z02637	7Z02692	7Z02273	7Z02696
BeamTrack Sensor: Beam Position & Size (p. 46/50)	7Z07904			7Z07900

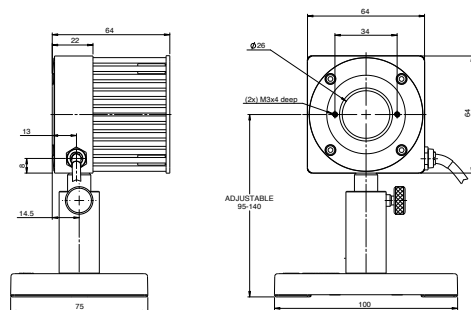
10A



30A-BB-18



50(150)A-BB-26



L30A-10MM

